

Mini Meter™ Multiple Meter Unit



DEFINITION

Leviton's Mini Meter™ (kWh) Multiple Meter Units (MMUs) are designed for multi-tenant submetering applications in which multiple single phase (120/240V 1PH 3W and 120/208V 2PH 3W) loads are fed from the same power distribution panel to be metered.

MMUs have important advantages over multiple individually housed meters including:

- Smaller mounting footprint
- Reduced hardware requirements (conduit, wire, short circuit protection devices, etc.)
- Reduced installation time
- Individual meters in one enclosure architecture enhances product reliability

Each Leviton Mini Meter installed in an MMU is a revenue-grade*, ANSI C12.1-compliant energy meter that is backed by Leviton's best in the industry 10-year warranty. Mini Meter MMUs are NEMA 4X rated and UL Listed, suitable for either indoor or outdoor installations. Each Mini meter has built-in pulse outputs for connection to Automatic Meter Reading equipment as well as on-site kWh displays.

*Leviton Solid Core Current Transformers are recommended for revenue-grade metering

Suitable for both new construction and retrofit applications, Mini Meter (kWh) MMUs are available in 3 sizes:

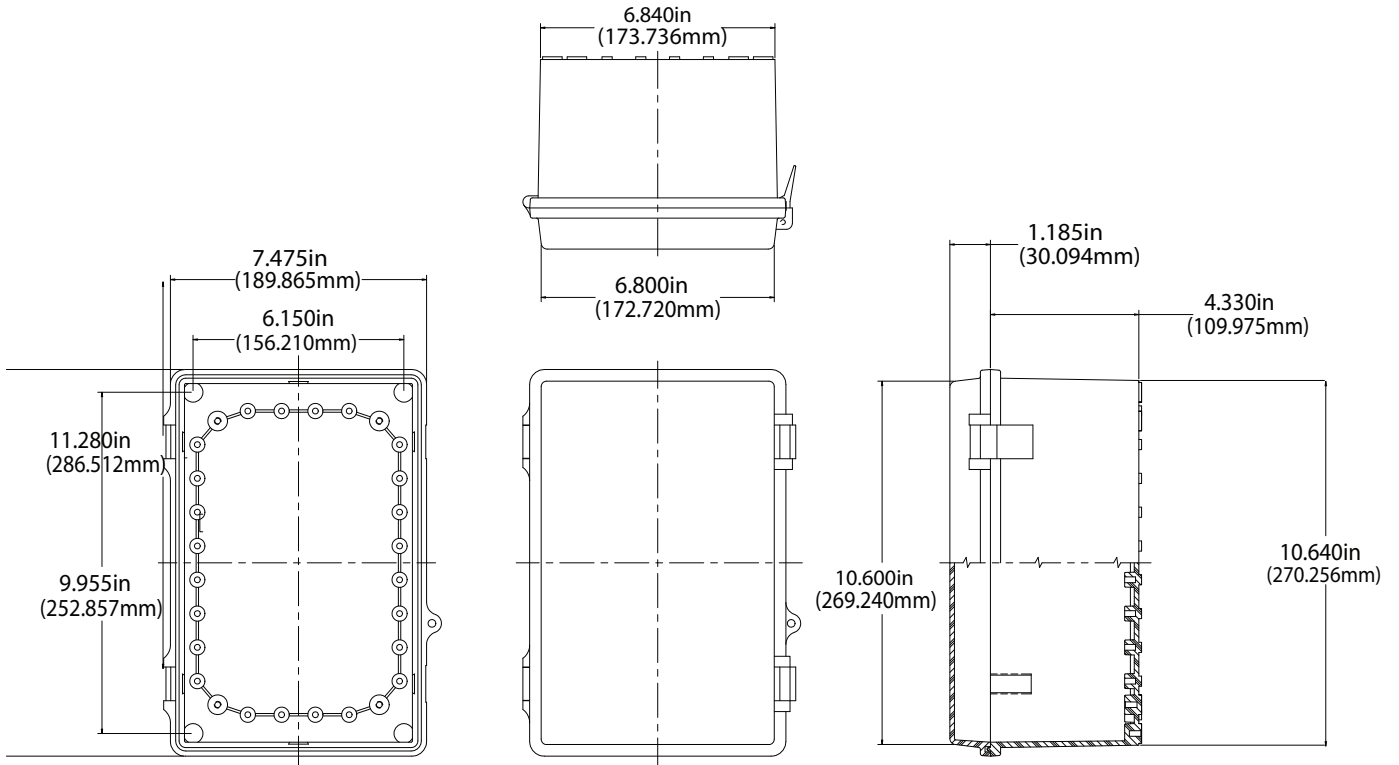
- **Medium:** Houses 2 to 4 Mini Meters
- **Large:** Houses 5 to 8 Mini Meters
- **Extra-Large:** Houses 9 to 19 Mini Meters

Leviton MMU configuration forms provide the factory with build information, such as power distribution information (single phase or three phase distribution panel mains), amperage ratings, and MMU and meter labeling information.

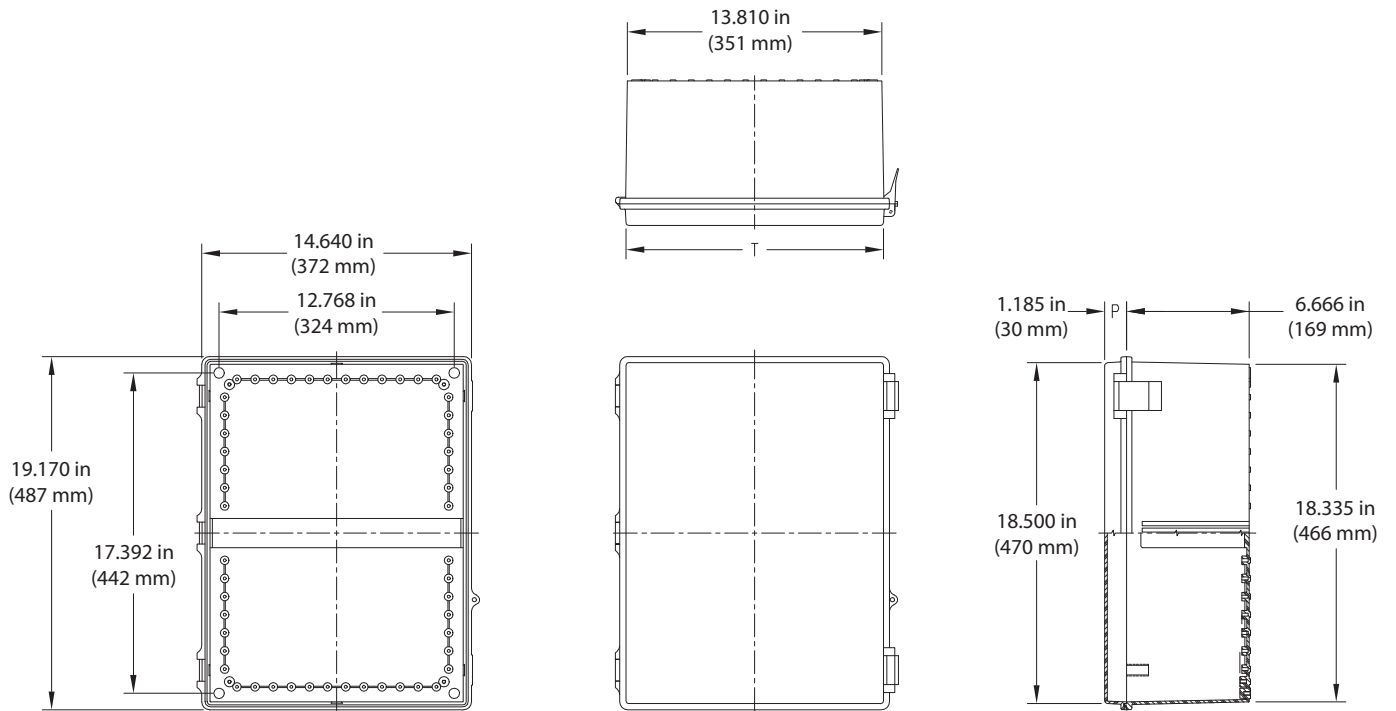
Non-configured option, for applications where client would prefer to connect meter voltage wires in the field, is available.

PRODUCT DATA

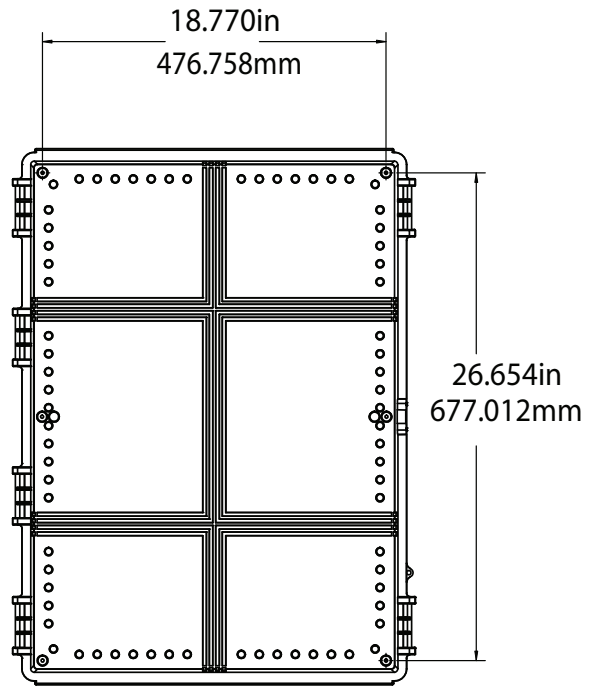
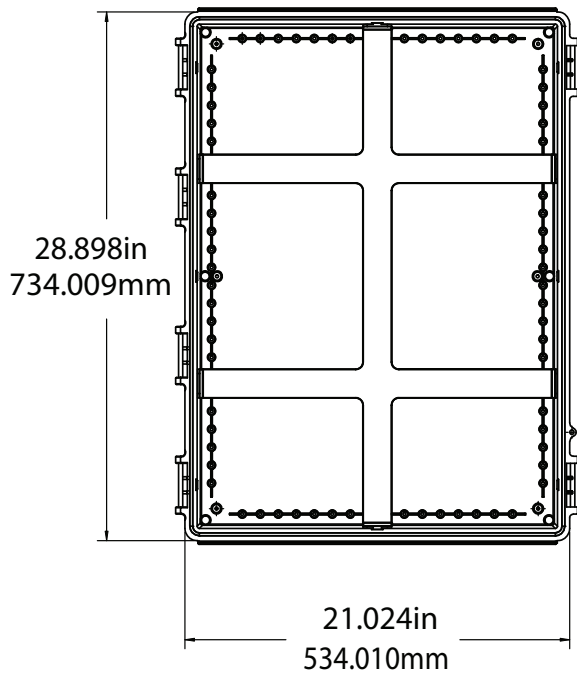
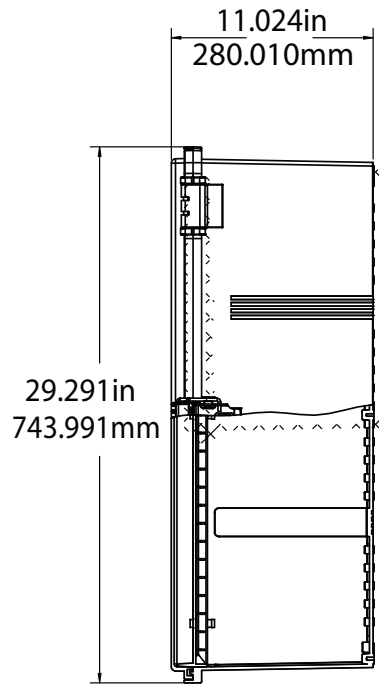
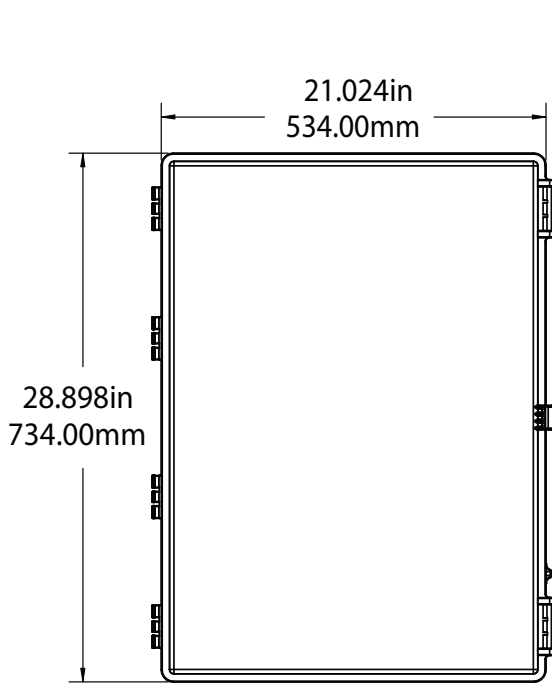
MEDIUM SERIES 2000 MMU DIMENSIONS



LARGE SERIES 2000 MMU DIMENSIONS



EXTRA-LARGE SERIES 2000 MMU DIMENSIONS



Mini Meter Multiple Meter Unit

PRODUCT DATA



ORDERING INFORMATION

Voltage	Description	Leviton P/N	
MEDIUM MINI METER MMU, 2-4 METERS			
120/240V 1PH 3W	2 Dual Element Meters	6M202-CFG	
	3 Dual Element Meters	6M203-CFG	
	4 Dual Element Meters	6M204-CFG	
120/208V 3PH 4W	2 Dual Element Meters	6M302-CFG	
	3 Dual Element Meters	6M303-CFG	
	4 Dual Element Meters	6M304-CFG	
LARGE MINI METER MMU, 5-8 METERS			
120/240V 1PH 3W	5 Dual Element Meters	6L205-CFG	
	6 Dual Element Meters	6L206-CFG	
	7 Dual Element Meters	6L207-CFG	
	8 Dual Element Meters	6L208-CFG	
120/208V 3PH 4W	5 Dual Element Meters	6L305-CFG	
	6 Dual Element Meters	6L306-CFG	
	7 Dual Element Meters	6L307-CFG	
8 Dual Element Meters	8 Dual Element Meters	6L308-CFG	
	EXTRA-LARGE MINI METER MMU, 9-19 METERS, NEMA 4X ENCLOSURE		
	120/240V 1PH 3W	9 Dual Element Meters	6X209-CFG
10 Dual Element Meters		6X210-CFG	
11 Dual Element Meters		6X211-CFG	
12 Dual Element Meters		6X212-CFG	
13 Dual Element Meters		6X213-CFG	
14 Dual Element Meters		6X214-CFG	
15 Dual Element Meters		6X215-CFG	
16 Dual Element Meters		6X216-CFG	
17 Dual Element Meters		6X217-CFG	
18 Dual Element Meters		6X218-CFG	
19 Dual Element Meters	6X219-CFG		
120/208V 3PH 4W	9 Dual Element Meters	6X309-CFG	
	10 Dual Element Meters	6X310-CFG	
	11 Dual Element Meters	6X311-CFG	
	12 Dual Element Meters	6X312-CFG	
	13 Dual Element Meters	6X313-CFG	
	14 Dual Element Meters	6X314-CFG	
	15 Dual Element Meters	6X315-CFG	
	16 Dual Element Meters	6X316-CFG	
	17 Dual Element Meters	6X317-CFG	
	18 Dual Element Meters	6X318-CFG	
19 Dual Element Meters	6X319-CFG		

The following products are also part of the Leviton line of integrated metering solutions:

- Series 1000 Meters
- Series 2000 Meters
- Series 3000 Smart Meters
- Mini Meters
- Multiple Meter Units (MMUs)
- Current Transformers (CTs)*
- Energy Management Hub (EMH)
- Energy Manager Monitoring Software

NOTE: All MMU orders require submittal of a Configuration Form. Please visit www.leviton.com/meters to download and submit.

Mini Meter Multiple Meter Unit

*Current transformers (CTs) sold separately; see the Leviton CT data sheet for ordering information

LEVITON SPECIFICATION SUBMITTAL

JOB NAME:	CATALOG NUMBERS:
JOB NUMBER:	

Leviton Mfg. Co., Inc. Lighting & Energy Solutions

20497 SW Teton Avenue, Tualatin, OR 97062 • 1-800-736-6682 • Fax: 503-404-5594 • Tech Line (6:00AM-4:00PM P.S.T. Mon-Fri): 1-800-959-6004

Leviton Manufacturing Co., Inc. Global Headquarters

201 N. Service Rd. Melville, NY 11747-3138 • Tech Line: 1-800-824-3005 • Fax: 1-800-832-9538

Leviton Manufacturing of Canada, Ltd.

165 Hymus Boulevard, Pointe Claire, Quebec H9R 1E9 • Telephone: 1-800-469-7890 • FAX: 1-800-563-1853

Leviton S. de R.L. de C.V.

Lago Tana 43, Mexico DF, Mexico CP 11290 • Tel. (+52) 55-5082-1040 • FAX: (+52) 5386-1797 • www.leviton.com.mx

Visit our Website at: www.leviton.com/les

© 2013 Leviton Manufacturing Co., Inc. All rights reserved. Subject to change without notice..

G-8795A/A13-tb
REV JAN 2013