

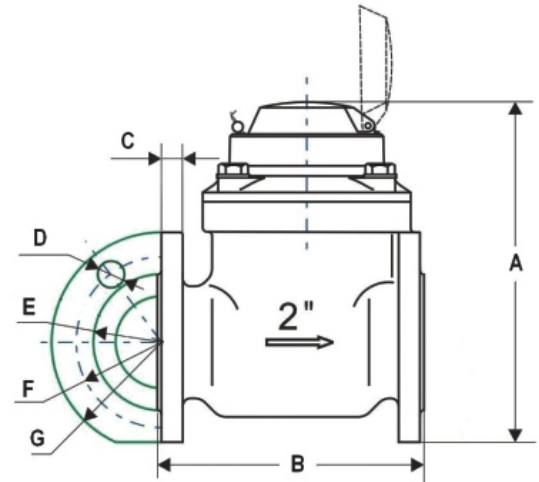


The TM Series Turbine Meter is a horizontal Woltman-type with a long life design suited for low flows and moderate to high flows of potable water. The TM Series meters comply with all performance requirements of ISO 4064. In addition to hot and cold designs, high and low frequency pulse outputs are available where remote metering and flow rates are required. The TM series is intended for horizontal installation.

- Long Life Design
- Sealed Register
- Removable Measurement Mechanism
- Low Pressure Loss
- Low/4-20mA Outputs
- Cold and Hot Versions

Technical Characteristics

MATERIALS.....	Meter Body.....	Cast Iron, Epoxy Coating
	Turbine.....	Plastic
FLANGES.....	150# ANSI	
MAX PRESSURE	230 psi	
MAX TEMP.....	Cold	104° F
	Hot.....	194° F
ACCURACY	Above Transition*	+/- 2%
	Below Transition*	+/- 5%
PULSE.....	Low.....	24Vac/dc @ 100mA
	High.....	24Vdc @ 25mA max - ext. source
PULSE WEIGHT	Low.....2"-4" 1pulse/10Gal; 6"-8" 1pulse/100Gal	
	High.....	4-20mA



Nom. Diam.	FLOW RATE (gpm)				
	2"	3"	4"	6"	8"
Minimum	2	5.3	8	20	33
Continuous	66	176	264	660	1100
Maximum	132	352	528	1320	2200
Transition *	13	35	53	132	220

DIMENSIONS					
Size	2"	3"	4"	6"	8"
A	10.0"	10.9"	11.3"	13.6"	14.7"
B	7.9"	8.9"	9.8"	11.8"	13.8"
C	0.63"	0.75"	0.95"	1.0"	1.1"
D	0.75"	0.75"	0.75"	0.88"	2.0"
E	3.6"	5.0"	6.2"	8.5"	10.6"
F	4.75"	6.0"	7.5"	9.5"	11.75"
G	6.5"	7.5"	9.0"	11.0"	13.5"
Wt-lb	26	35	39	84	112

* The flow rate change from +/- 2% to +/-5% of reading.